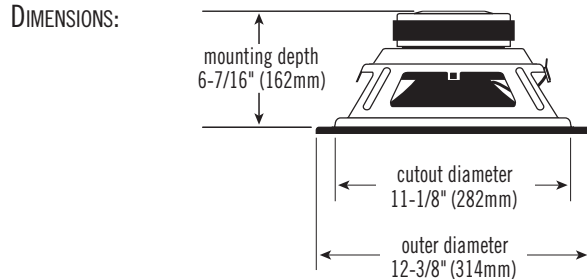


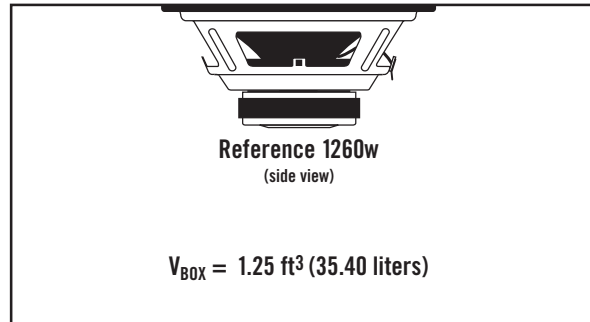
Infinity Reference 1260w 12" Woofer – Technical Data

SPECIFICATIONS

DIAMETER:	12" (300mm)
SENSITIVITY (2.83V @ 1m):	93dB
POWER HANDLING:	300W _{RMS} (1200W _{PEAK})
FREQUENCY RESPONSE:	23Hz ~ 400Hz
NOMINAL IMPEDANCE:	4 OHMS
VOICE COIL DIAMETER:	2.0" (51.0mm)



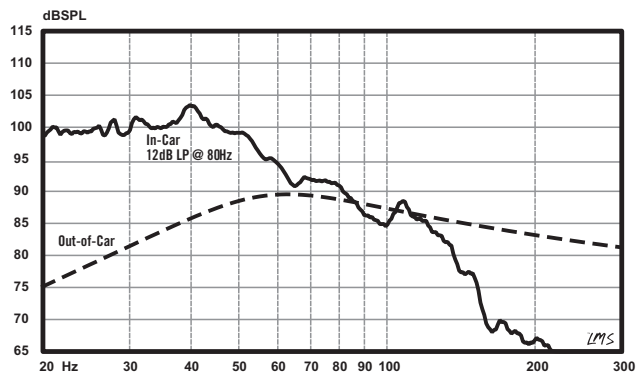
SEALED BOX VOLUME (INCLUDES DRIVER DISPLACEMENT)



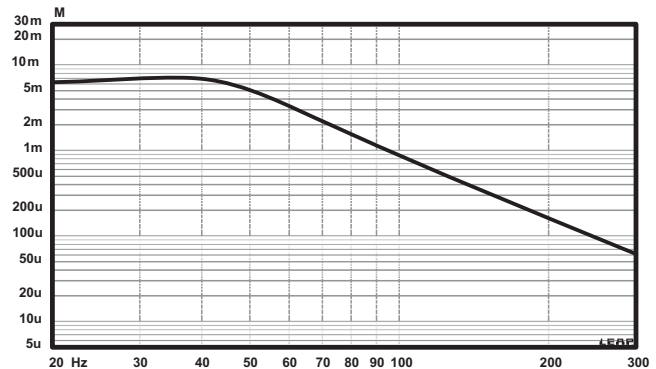
THIELE-SMALL PARAMETERS

VOICE COIL DC RESISTANCE:	R_{EVC} (OHMS)	3.59
VOICE COIL INDUCTANCE @ 1kHz:	L_{EVC} (MH)	2.89
DRIVER RADIATING AREA:	S_D (IN ²)	82.30
	S_D (M ²)	531.00
MOTOR FORCE FACTOR:	BL (TM)	16.90
COMPLIANCE VOLUME:	V_{AS} (FT ³)	2.92
	V_{AS} (LITERS)	82.96
SUSPENSION COMPLIANCE:	C_{MS} (μM/N)	206.00
MOVING MASS, AIR LOAD:	M_{MS} (GRAMS)	222.00
MOVING MASS, DIAPHRAGM:	M_{MD} (GRAMS)	214.00
FREE-AIR RESONANCE:	F_S (Hz)	23.50
MECHANICAL Q:	Q_{MS}	6.99
ELECTRICAL Q:	Q_{ES}	0.41
TOTAL Q:	Q_{TS}	0.39
MAGNETIC-GAP HEIGHT:	H_{AG} (IN)	0.314
	H_{AG} (MM)	8.00
VOICE COIL HEIGHT:	H_{VC} (IN)	1.34
	H_{VC} (MM)	34
MAXIMUM EXCURSION:	X_{MAX} (IN)	0.512
	X_{MAX} (MM)	13.00

SEALED ENCLOSURE FREQUENCY RESPONSE @ 2.83V

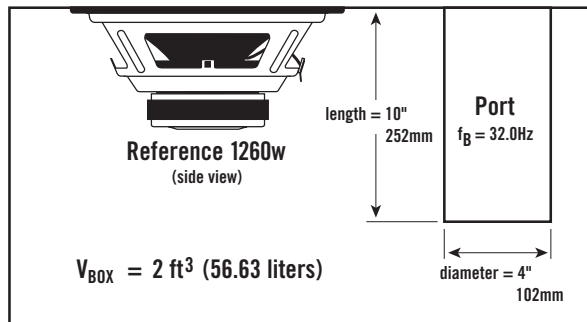


SEALED ENCLOSURE CONE EXCURSION @ 300W

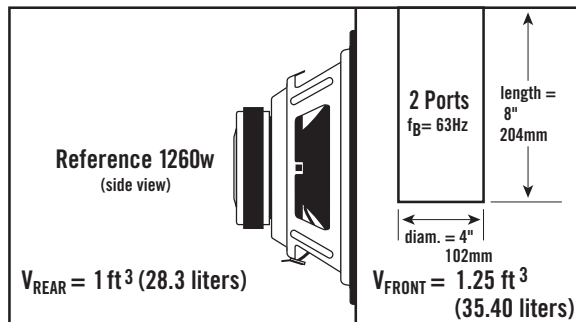


Infinity Reference 1260w 12" Woofer – Technical Data

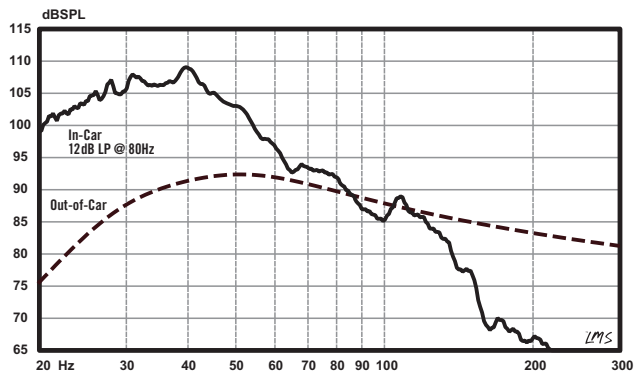
VENTED BOX VOLUME (INCLUDES DRIVER/PORT DISPLACEMENTS)



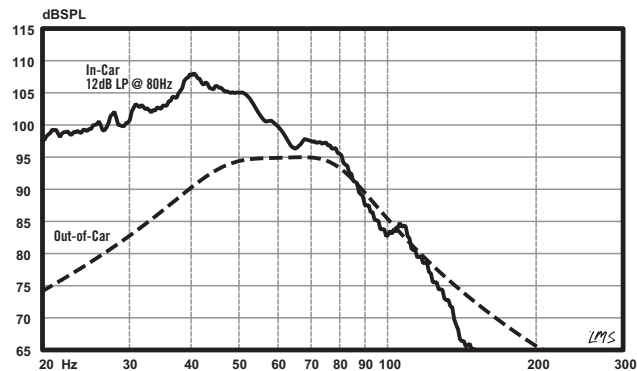
BAND-PASS BOX VOLUME (INCLUDES DRIVER/PORT DISPLACEMENTS)



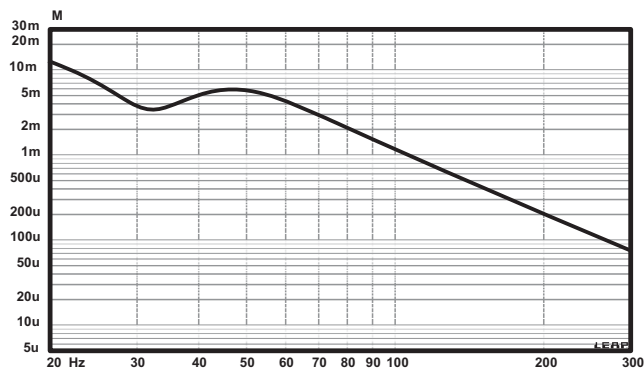
VENTED ENCLOSURE FREQUENCY RESPONSE @ 2.83V



BAND-PASS ENCLOSURE FREQUENCY RESPONSE @ 2.83V



VENTED ENCLOSURE CONE EXCURSION @ 300W



BAND-PASS ENCLOSURE CONE EXCURSION @ 300W

